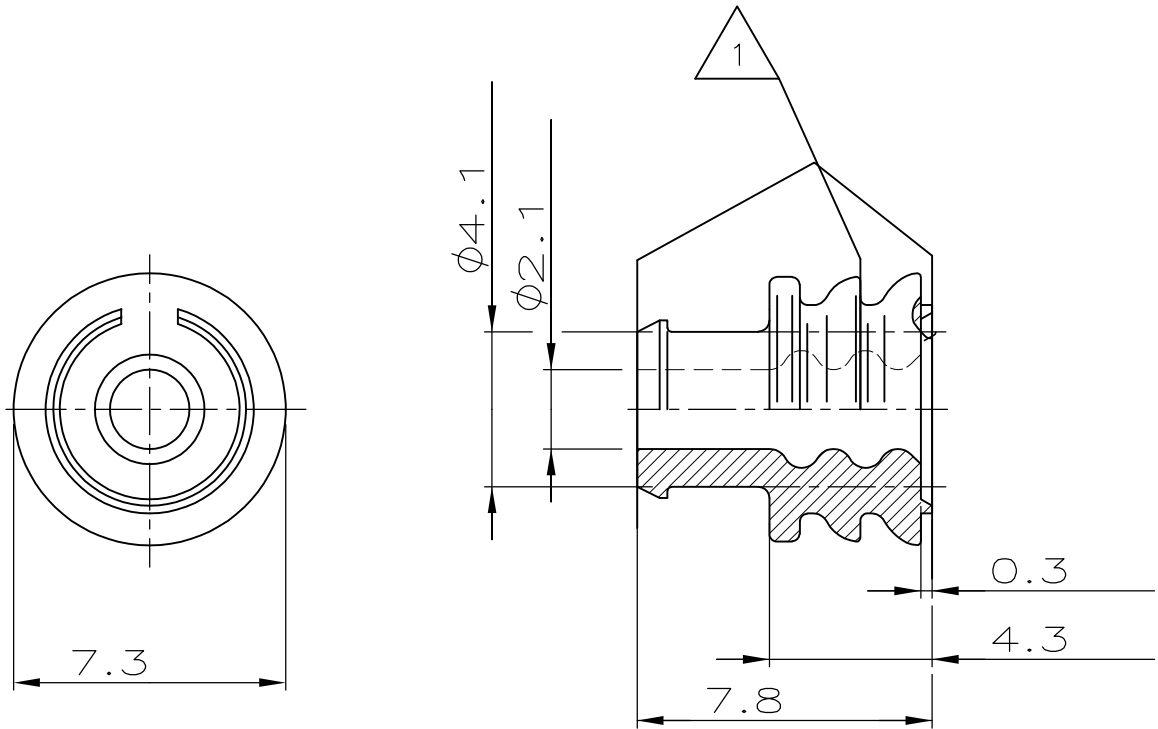


|                                 |           |           |           |     |                           |         |     |      |
|---------------------------------|-----------|-----------|-----------|-----|---------------------------|---------|-----|------|
| MATED WITH:<br>PASSEND ZU:<br>— | LOC<br>A1 | DIST<br>— | REVISIONS |     |                           |         |     |      |
|                                 |           |           | P         | LTR | DESCRIPTION               | DATE    | DWN | APVD |
| PROJECT NR.: 87-9187            |           |           | D8        |     | REVISED PER ECR-11-025934 | 29DEC11 | RK  | HMR  |



Bemerkungen

NOTES

- 1 Werkzeugtrenngrat max. 0.5 hoch und 0.02 dick zulässig  
(sonst kein Grat zulässig)  
BURRS MAX. 0.5 HIGH AND 0.02 THICK PERMITTED  
(NO BURRS ELSE PERMITTED)
- 2 Einzelheiten der Ausführung bleiben dem Hersteller überlassen  
DETAILS OF DESIGN ARE LEFT TO MANUFACTURER
- 3 Passend für Kammer:  $\phi 6.4\text{mm}$   
SUITABLE FOR CAVITY:  $\phi 6.4\text{mm}$
- 4 Passend für Isolationsdurchmesser: 3 - 3.7mm  
SUITABLE FOR INSULATION DIAMETER: 3 - 3.7mm
- 5 Bestückungshilfe für Einzelleiterabdichtung siehe: TE CONNECTIVITY:965702  
INSERTER FOR SINGLE WIRE SEAL SEE :
- 6 Keine Luftlöcher zulässig  
NO AIR BUBBLES PERMITTED



M 1:1

(D6)

RELEASED FOR PUBLICATION

ALL RIGHTS RESERVED.

THIS DRAWING IS UNPUBLISHED.

© COPYRIGHT -- By --

|  |                                |                  |                    |                             |  |           |
|--|--------------------------------|------------------|--------------------|-----------------------------|--|-----------|
| DIMENSIONS:<br>mm  | DWN<br>P. Gaupp<br>17 APR 97   | MATERIAL<br>—    | FINISH<br>—        |                             |  |           |
|  | CHK<br>D. Kuempel<br>21 APR 97 | TE Connectivity  |                    |                             |  |           |
| TOLERANCES UNLESS OTHERWISE SPECIFIED:<br><del>                 0 PLC ± -<br/>                 1 PLC ± -<br/>                 2 PLC ± -<br/>                 3 PLC ± -<br/>                 4 PLC ± -<br/>                 ANGLES ± -             </del> | APVD<br>—                      |                  |                    | PRODUCT SPEC<br>108-18263-1 | NAME<br>2.5mm System, Einzeldichtung<br>2.5MM SYSTEM, SINGLE WIRE SEAL |           |
|  | APPLICATION SPEC<br>114-18031  | SIZE<br>A4       | CAGE CODE<br>00779 | DRAWING NO<br>C-828985      | RESTRICTED TO<br>—   |           |
|  | WEIGHT<br>—                    | CUSTOMER DRAWING |                    | SCALE<br>5:1                | SHEET<br>1 OF 1  | REV<br>D8 |